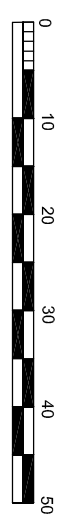
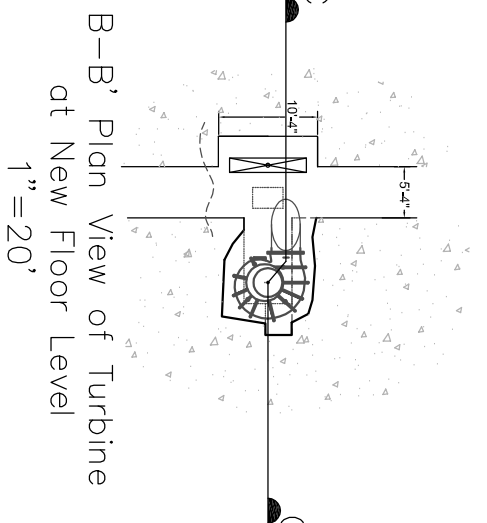
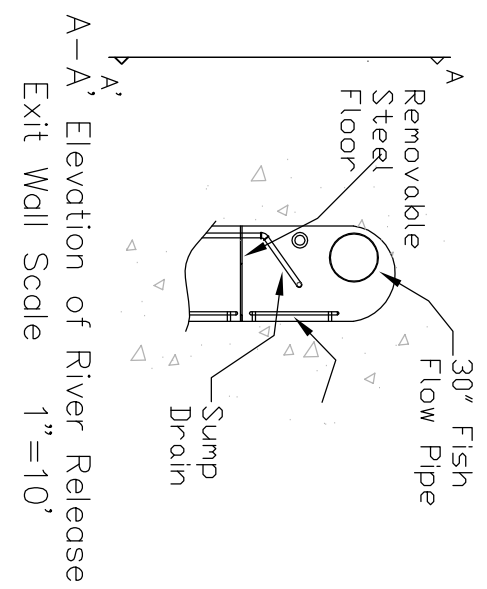


Reference drawings
 373188-90
 431552
 402281,82
 373182



Existing Section View
 Through Dam Center
 PG&E Datum (= USGS-10.2')



C-C' Section view
 planned turbine setting
 1"=20'

SCALE 1"=20' @1"x17"print	INDEX	TITLE
DRAWN BY ELY	DATE 5/6/05	Existing and Planned Central Section and Plan Rock Creek Retrofit Project
DESIGNER/ENGINEER Staff	DATE	
CONTACT 530 753-8864		File wr\Hydro\RC\working drawings\dam Internals\E&P_sections

Revision	Sent to	Media/
0	J. Vard.	E-Mail

DESIGNER/ENGINEER
 Staff
Davis Hydro
 27264 Meadowbrook Drive
 DAVIS CALIFORNIA 95616

DWG NO
RC-T - 9
 REVISION
 0