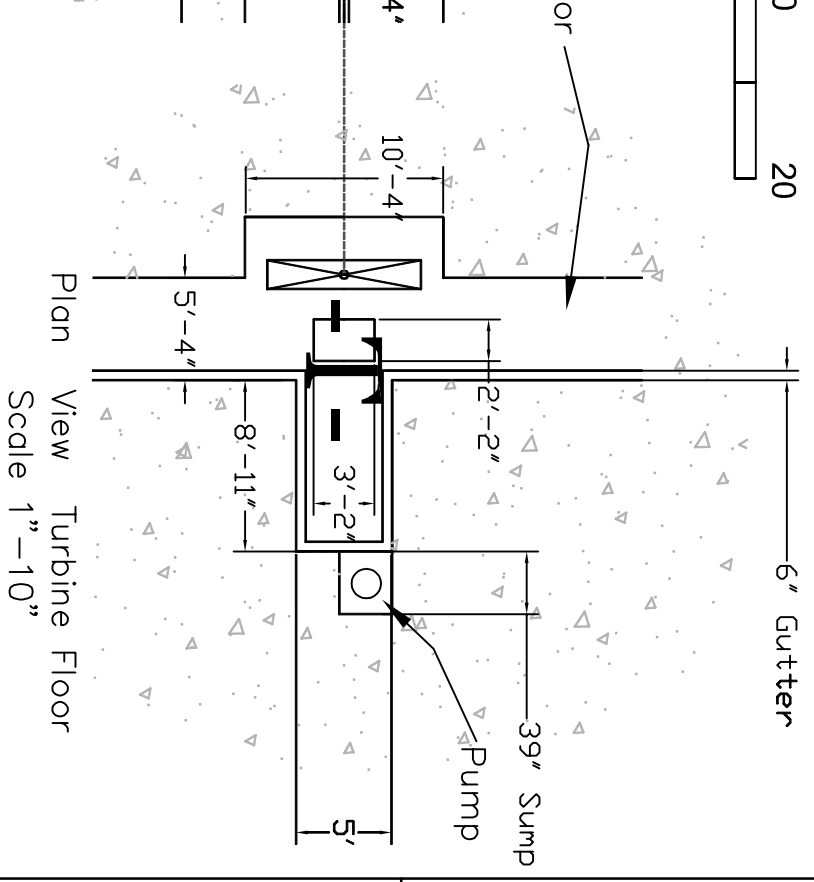
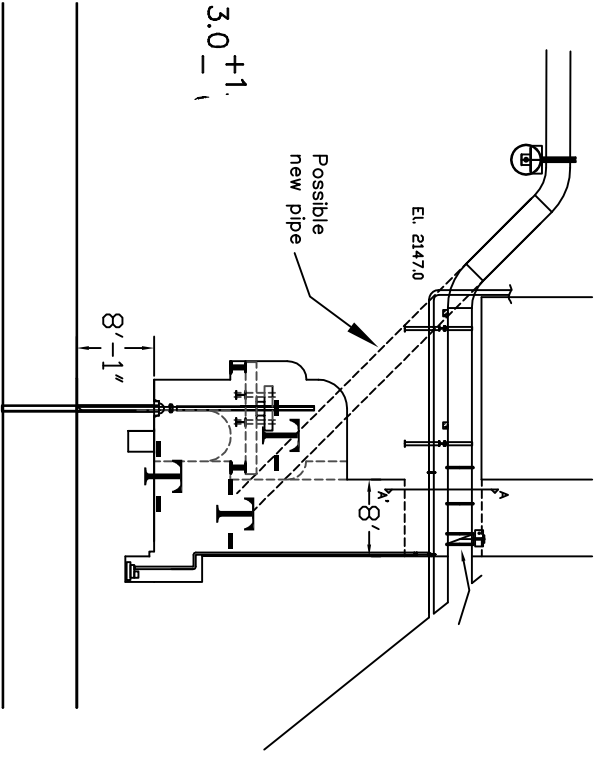


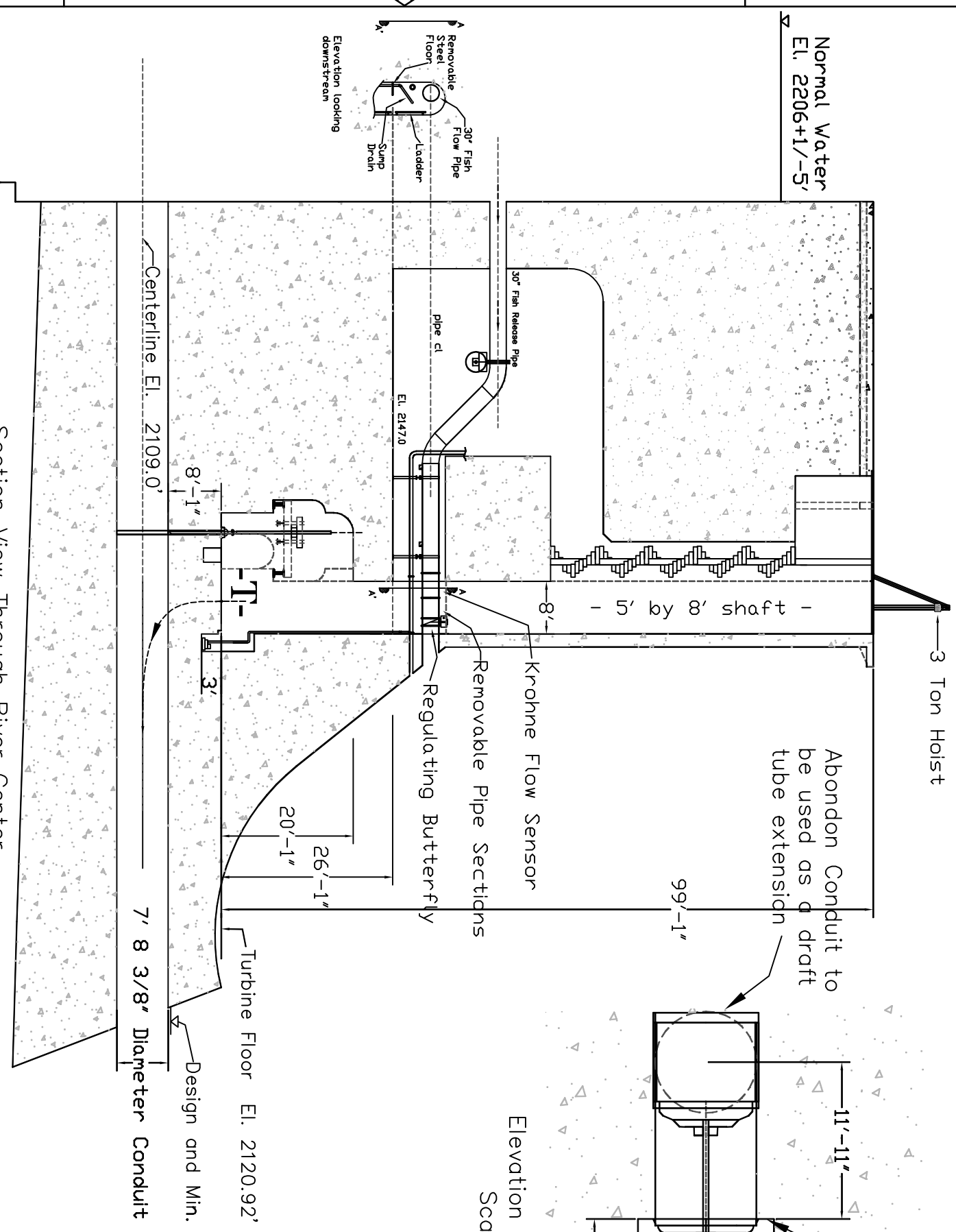
Elevation of Center Gate
Scale 1"=10'



Plan View Turbine Floor
Scale 1"=10"



Section View Through River Center
Scale 1"=20'



PG&E
Reference
Drawings

373188-90
431552
402281,82
373182

PG&E Datum (= USGS-10.2')

NO	DATE	REVISION

Drawn By	Revision Sent to	Media/

SCALE	INDEX	TITLE
11" x 17"		Turbine Setting
		Rock Creek Retrofit Project

DESIGNER/ENGINEER	CONTACT	File
Davis Hydro Staff	530 753-8864	RC/working drawings/dam Internals/lower_chamber2.dwg

DESIGNED BY	DATE	Project

DATE	DATE	Project
12/1/04		

Web-PDF	Various	Web
12/16/04	12/5/04	

Revision	Sent to	Media/
0		